

Zawory kulowe BV4SETI



SMART DESIGN

MAXIMUM CERTIFIED

AUTOMATION READY

REDUCED WEIGHT & TIGHT PRICE

TRACEABILITY

TECHNICAL DESCRIPTION

DN25 up to DN50 standard PN10/16/40
DN65 up to DN100 PN10/16

Also available in ANSI execution 1" to 4", class 150

Face to Face:
EN 558-1- series 14 / DIN3202 F4 upto DN100

Flanges acc. to EN 1092-1 / DIN 2501

ISO mounting platform according to DIN 3337/ISO 5211

Fire safe execution and certified

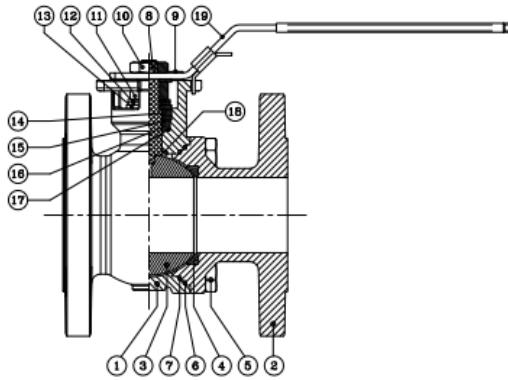
Atex certified

TA-Luft certified

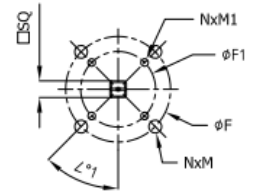
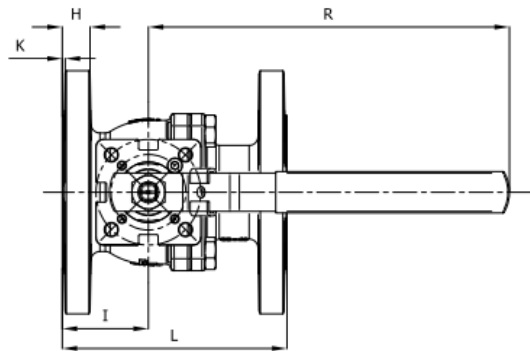
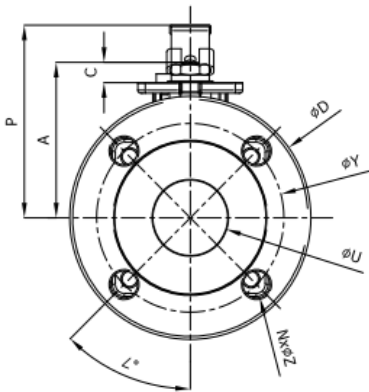
Available seats : Virgin PTFE

DN	PN	WEIGHT [Kg]	Kv (m ³ /h)	TORQUE (Nm)
25	10/16/40	4,50	60,9	19
32		5,80	89,7	23
40		8,10	147,3	29
50		11,40	268,2	42
65	10/16	15,30	451,4	67
80		20,50	636,5	79
100		26,80	1023,4	119

Above mentioned torques are breakaway torques for water at 25°C at max. pressure condition. All torques include 10% safety factor.



ITEM	PART NAME	BV4S-4466T/FS	BV4S-6666T/FS
1	BODY	1.0619	1.4408
2	END CONNECTION	1.0619	1.4408
3	BALL	1.4401/1.4408	1.4401/1.4408
4	BALL SEATS	PTFE	PTFE
5	SCREW	CARBON STEEL	STAINLESS STEEL
6	BODY SEAT	GRAPHOIL	GRAPHOIL
7	BODY SEAT	PTFE	PTFE
8	STEM	1.4401	1.4401
9	SCREW	CARBON STEEL	STAINLESS STEEL
10	NUT	CARBON STEEL	STAINLESS STEEL
11	NUT	CARBON STEEL	STAINLESS STEEL
12	SPRING WASHER	CARBON STEEL	STAINLESS STEEL
13	BUSH	1.4401	1.4401
14	STEM SEAT	GRAPHOIL	GRAPHOIL
15	O-RING	FKM	FKM
16	STEM SEAT	PTFE	PTFE
17	O-RING	FKM	FKM
18	TRUST WASHER	PTFE	PTFE
19	LEVER	STAINLESS STEEL	STAINLESS STEEL



DN	PN	ØU	L	ØD	ØY	n-ØZ	∠°	I	A	R	C	P	H	K
25	16/40	Ø25	125	Ø111	Ø85	4-Ø14	45°	53	69	161	11	94	17	2
32		Ø32	130	Ø136	Ø100	4-Ø18	45°	55	82	161	11	107	17	2
40		Ø40	140	Ø146	Ø110	4-Ø18	45°	52	94	241	14	119	17	2
50		Ø50	150	Ø161	Ø125	4-Ø18	45°	57,5	103	241	13,5	128	19	2
65	10/16	Ø65	170	Ø181	Ø145	4-Ø18	45°	63	128,4	321	17,4	154	17	2
80		Ø80	180	Ø196	Ø160	8-Ø18	22,5°	75,5	137,4	321	17,4	163	19	2
100		Ø100	190	Ø216	Ø180	8-Ø18	22,5°	80	153,6	381	19	178	19	2

DN	PN	NxM	□SQ	ØF	ØF1	NxM1	∠°1
25	16/40	4xØ7	□9	F05-Ø50	-	-	45°
32		4xØ7	□9	F05-Ø50	-	-	45°
40		4xØ8,5	□11	F07-Ø70	F05-Ø50	4xM6	45°
50		4xØ8,5	□11	F07-Ø70	F05-Ø50	4xM6	45°
65	10/16	4xØ8,5	□14	F07-Ø70	-	-	45°
80		4xØ11	□14	F10-Ø102	F07-Ø70	4xM10	45°
100		4xØ11	□17	F10-Ø102	F07-Ø70	4xM10	45°