



Braukmann R295HP-F

Mechanical disconnecter hydraulic actuated GB type according to EN 1717

APPLICATION

Mechanical disconnectors of this type are suitable for the protection of drinking water systems as required by EN 1717 "The technical regulation of drinking water systems".

Their purpose is to protect systems against back pressure, back flow and back syphonage of non-potable water into the public water supply network.

Mechanical disconnectors of this type can be used to provide protection up to and including liquid category 4 (toxic, very toxic, carcinogenic and radioactive substances).

SPECIAL FEATURES

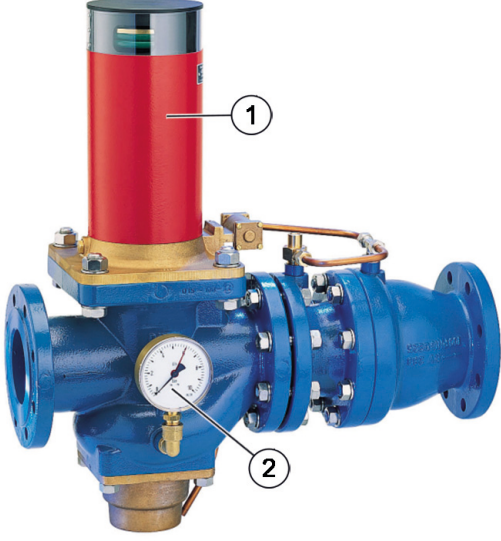
- Optimal protection of the drinking water supply system
- Enhanced protection against back pressure, back flow and back syphonage into the water supply network
- Shut-off position visually indicated on the spring bonnet
- Compact construction
- Powder-coated inside and outside - Powder used is physiologically and toxicologically safe
- All materials are KTW approved
- Low pressure loss



TECHNICAL DATA

Media	
Medium:	Cold drinking water
Connections/Sizes	
Connection size:	DN65 - DN200
Pressure values	
Inlet pressure range:	1.5 bar - 10 bar
Opening pressure:	0.5 bar
Operating temperatures	
Max. operating temperature medium:	40 °C
Specifications	
Installation position:	Horizontal with spring bonnet upwards
Min. flow rate:	1 l/min

CONSTRUCTION

Overview	Components	Materials	
	1	Spring bonnet	Steel
	2	Housing with pressure gauge	Grey cast iron housing, powder-coated inside and outside
	Not depicted components:		
		Pressure control unit	-
		PN 16 flanged connections to ISO 7005-2, DIN EN 1092-2	Grey cast iron
		Drain connector	Red bronze drain connector up to DN100
		Valve insert with spring	Stainless steel valve stem and spring
		Spindle guide with double O-ring seal	-
		Balanced-seat piston	Stainless steel
		Seals	Elastic, ageing and scuff resistant elastomer
	Bearing surfaces for sliding internal parts	High-grade synthetic material	
	Hydraulically controlled changeover valve	-	
	Internal parts	Red bronze and brass	

METHOD OF OPERATION

Type 2 mechanical disconnecters are normally in the shut-off position. When water is drawn from the downstream system, the differential pressure in the mechanical disconnecters rises. If the differential pressure rises above 0.5 bar, the hydraulic operator causes the control valve to change the mechanical disconnecters into the flow position. When the draw-off stops, the differential pressure then falls again and the pressure sensor transmits a signal to the control valve, which then returns the mechanical disconnecters to the normal shut-off position.

TRANSPORTATION AND STORAGE

Keep parts in their original packaging and unpack them shortly before use.

The following parameters apply during transportation and storage:

Parameter	Value
Environment:	clean, dry and dust free
Min. ambient temperature:	5 °C
Max. ambient temperature:	55 °C
Min. ambient relative humidity:	25 % *
Max. ambient relative humidity:	85 % *

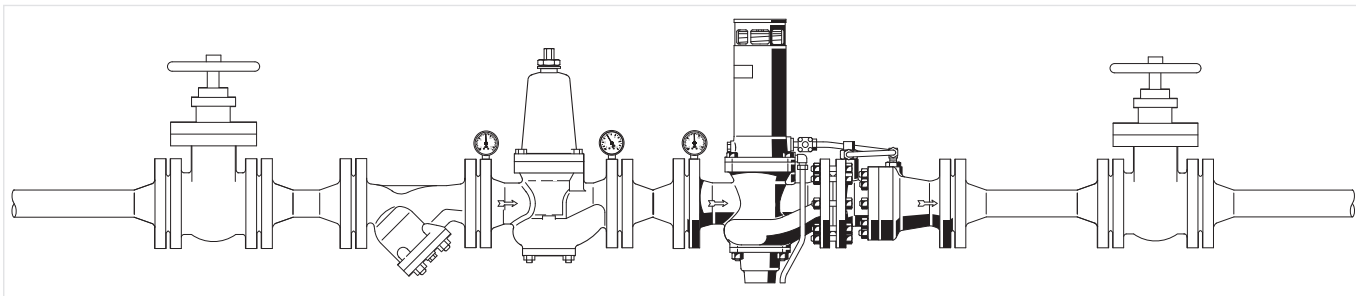
*non condensing

INSTALLATION GUIDELINES

Setup requirements

- Install shut-off valves
- Install in horizontal pipework with spring bonnet directed upwards
- Ensure good access
 - Pressure gauge can be read off easily
 - Simplifies maintenance and inspection
- Install a strainer upstream of the mechanical disconnecter
 - To protect the mechanical disconnecter from dirt
- If pressure shock is anticipated in the outlet side of the disconnecter, a pressure shock damper or expansion vessel must be fitted on the system downstream of the disconnecter
- In order to avoid flooding, it is recommended to arrange a permanent, professionally dimensioned wastewater connection
- These armatures need to be maintained regularly

Installation Example



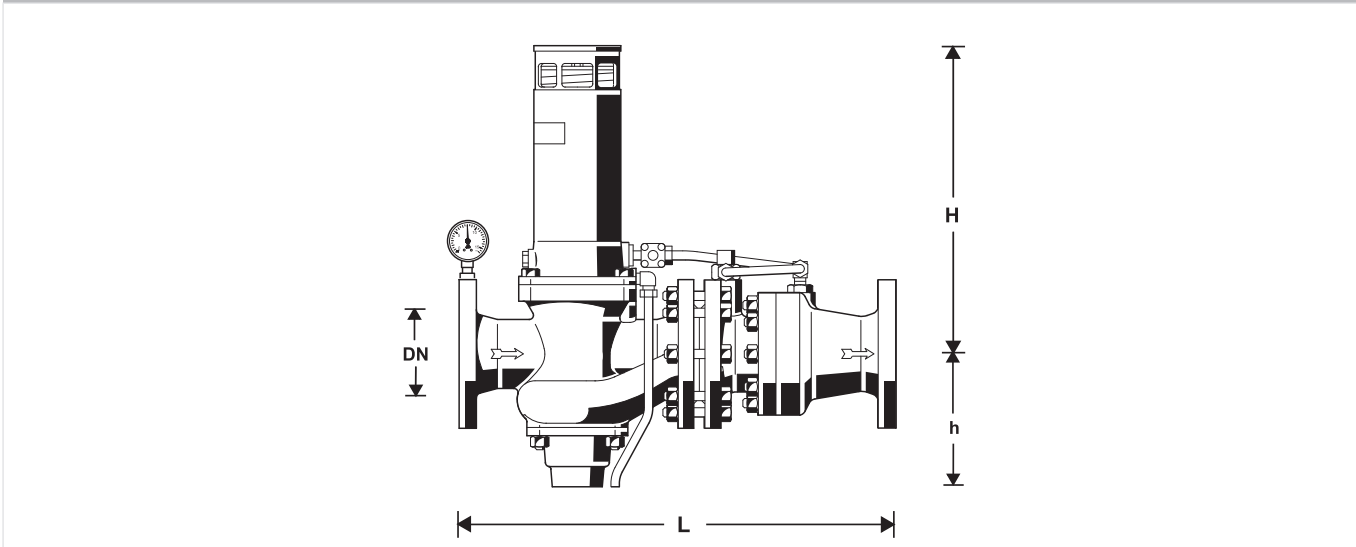
TECHNICAL CHARACTERISTICS

kvs-Values

Connection sizes:	65	80	100	125	150	200
k _{VS} -value:	24	35	50	100	150	248
ξ-value:	50.0	53.5	64.0	39.0	36.0	42.0

DIMENSIONS

Overview



Parameter		Values					
Connection Size:	DN	65	80	100	125	150	200
Weight:	kg	49	68	90	146	207	409
Dimensions:	L	532	572	652	752	882	1102
	H	380	495	475	528	563	851
	h	165	208	232	280	313	438
Nominal flow rate at Δp = 0.8 bar:	m ³ /h	21	31	45	89	134	222

Note: All dimensions in mm unless stated otherwise.

ORDERING INFORMATION

The following tables contain all the information you need to make an order of an item of your choice. When ordering, please always state the type, the ordering or the part number.

Options

The armatures are available in the following sizes: DN65, DN80, DN100, DN125, DN150 and DN200.

- standard
- not available

Connection type:	With flanges, differential pressure 0.5 bar, self-adjusting	R295HP-...FA
------------------	---	---------------------

- Note: Special Versions available on request
- Note: ... = space holder for connection size
- Note: Ordering number example for DN80 and type A valve: R295HP-80FA

Spare Parts

Mechanical disconnecter R295HP-F

Overview	Description	Dimension	Part No.
<p>DN50 - 150</p> <p>DN200</p>	1 Valve insert complete	DN65	R295AP-65FB
		DN80	R295AP-80FB
		DN100	R295AP-100FB
		DN125	R295AP-125FB
		DN150	R295AP-150FB
		DN200	R295AP-200FB
	2 Set of seals	DN65	0901093
		DN80	0901094
		DN100	0901095
		DN125	0901143
		DN150	0901145
		DN200	0901147
	3 Pilot valve	DN65 - DN200	2183500
	4 Pressure balancing valve	DN65 - DN200	0901417
	5 Lip seal ring	DN65	5350000
		DN80	5350300
		DN100	5350400
		DN125	2070300
		DN150	2067300
		DN200	2238900
6 Valve disc guide	DN65	0900376	
	DN80	0900377	
	DN100	0900378	
	DN125	0900379	
	DN150	0900380	
	DN200	0900381	
7 Pressure gauge	0 - 16 bar	M39M-A16	
8 Pressure gauge	0 - 16 bar	M07M-A16	
9 Hexagon-plug with copper sealing-ring R¹/₄" (5 pcs.)		S06M-1/4	



Manufactured for
and on behalf of
Pittway Sàrl, Z.A., La Pièce 4,
1180 Rolle, Switzerland
by its authorised representative
Ademco 1 GmbH

For more information
homecomfort.resideo.com/europe

Ademco 1 GmbH, Hardhofweg 40,
74821 MOSBACH, GERMANY

Phone: +49 6261 810
Fax: +49 6261 81309